

# KEY

## ENGINEERING DESIGN CHALLENGE

When an engineer or electrician plans to design a circuit, they draw a picture with symbols. This is called a schematic. Imagine you are an engineer designing a circuit. Using the symbols provided, draw the following:

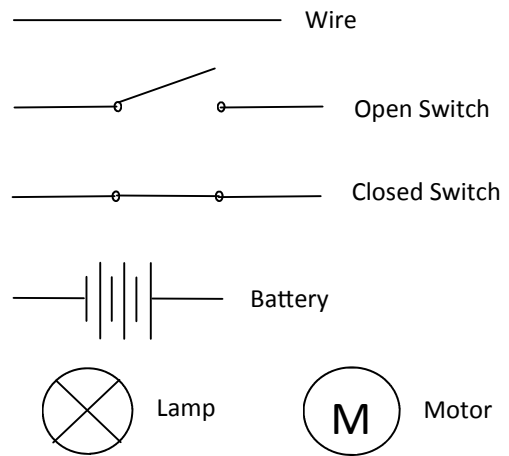
### Box #1

Draw an open circuit with a lamp.

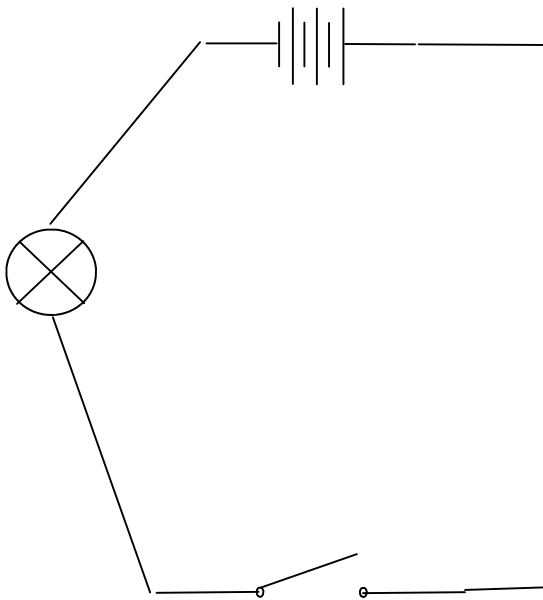
### Box #2

Draw a closed circuit with a motor. An example is a battery powered toy with a motor.

### Symbol Key



### Box #1



### Box #2

