

Name \_\_\_\_\_

Date \_\_\_\_\_

### ENGINEERING DESIGN CHALLENGE

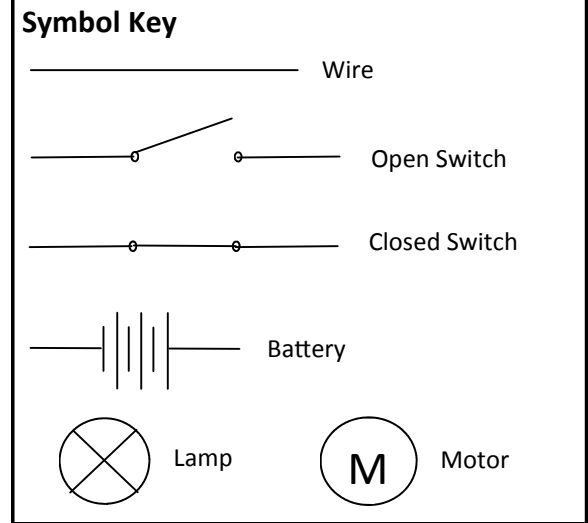
When an engineer or electrician plans to design a circuit, they draw a picture with symbols. This is called a schematic. Imagine you are an engineer designing a circuit. Using the symbols provided, draw the following:

#### Box #1

Draw an open circuit with a lamp.

#### Box #2

Draw a closed circuit with a motor. An example is a battery powered toy with a motor.



#### Box #1

#### Box #2